

**SONY**

# Car Stereo Service Bulletin

**Sony Service Company** - Technical Services  
A Division of Sony Corporation of America  
Sony Drive, Park Ridge, New Jersey 07656

**Model:** CDX-R79, XR-7150/7200/7300/7400

**No. 138**

**Subject:** Missing Part Number For  
Release Button

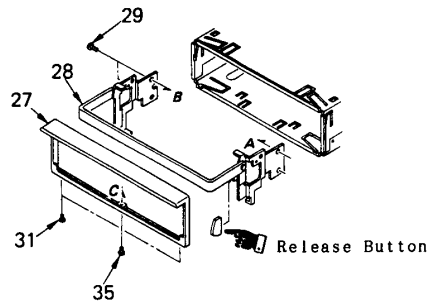
**Date:** May 24, 1989

**Symptom:**  
(\*\*)

The part number for the release button is not listed in the service manual.

**Solution:** Please add the following part number to your service manual:

Description	Part Number
Release Button	3-344-526-02



CSA-14 Tuner / Tape Deck

Reference: T/N AU89013

PRINTED IN U.S.A.  
CSA-14589-5